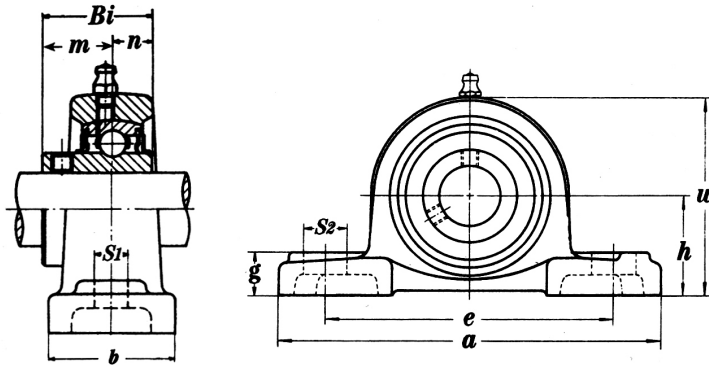




**FIT Bearings®**  
The Brand that Fits

**MOUNTED UNITS**  
UCP 200 Pillow Blocks  
Setscrew Type, Normal Duty



B type Seal L-III type Seal

ISO 9001:2000	DIMENSIONS													BOLT	COMPONENTS		WT.
Part Number	d inch	d mm	h	a	e	b	S1 inch	S2 inch	g	w	n	m	Bi	Thread Size	Bearing Number	Hous. Number	lbs
UCP201 208-1	1/2	12															
UCP202 202-10	5/8	15	1.2	5.0	3.8	1.5	0.5	0.8	0.5	2.4	0.5	0.7	1.2	3/8-24UNF	UC202 202-10	P202	1.3
UCP203 203-11	11/16	17													UC203 203-11	P203	
UCP204-12 204	3/4	20	1.3	5.0	3.8	1.5	0.5	0.8	0.5	2.5	0.5	0.7	1.2	3/8-24UNF	UC204-12 204	P204	1.4
UCP205-14 205-15 205 205-16	7/8 15/16 1	25	1.4	5.5	4.1	1.5	0.5	0.8	0.5	2.8	0.6	0.8	1.3	3/8-24UNF	UC205-14 205-15 205 205-16	P205	1.8
UCP206-18 206 206-19 206-20	1 1/8 1 3/16 1 1/4	30	1.7	6.5	4.8	1.9	0.7	0.8	0.6	3.3	0.6	0.9	1.5	7/16-20UNF	UC206-18 206 206-19 206-20	P206	2.9
UCP207-20 207-21 207-22 207 207-23	1 1/4 1 5/16 1 3/8 1 7/16	35	1.9	6.6	5.0	1.9	0.7	0.8	0.6	3.7	0.7	1.0	1.7	7/16-20UNF	UC207-20 207-21 207-22 207 207-23	P207	3.5
UCP208-24 208-25 208	1 1/2 1 9/16	40	1.9	7.3	5.4	5.4	0.7	0.8	0.7	3.8	0.8	1.2	1.0	7/16-20UNF	UC208-24 208-25 208	P208	4.4

**FIT STRIVES FOR 100% IN QUALITY PRODUCTS**

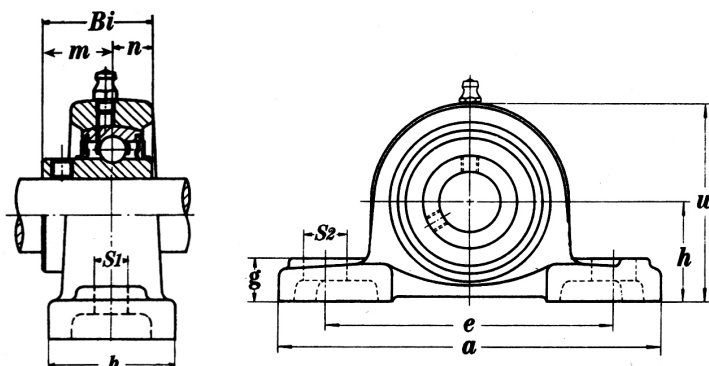
**CORPORATE - WEST COAST SALES**  
47655 Warm Springs Blvd  
Fremont, CA 94539  
Toll Free: (800) 808-0348  
Phone: (510) 623-1688

**MIDWEST SALES - DISTRIBUTION**  
2800 Galvin Drive  
Elgin, IL 60124  
Toll Free: (877) 808-0348  
Phone: (847) 836-8200



**FIT Bearings®**  
The Brand that Fits

**MOUNTED UNITS**  
UCP 200 Pillow Blocks  
Setscrew Type, Normal Duty



B type Seal L-III type Seal

ISO 9001:2000	DIMENSIONS														BOLT	COMPONENTS		WT.
Part Number	d inch	d mm	h	a	e	b	S1	S2	g	w	n	m	Bi	Thread Size	Bearing Number	Hous. Number	lbs	
UCP209-26	1 5/8																	
209-27	1 11/16		2.1	7.5	5.8	2.1	0.7	0.8	0.7	4.2	0.8	1.2	1.9	7/16-20UNF	UC209-26 209-27	P209	4.9	
209-28	1 3/4														209-28			
209		45													209			
UCP210-30	1 7/8																	
210-31	1 15/16		2.3	8.1	6.3	2.4	0.8	0.9	0.8	4.4	0.8	1.3	1.9	5/8-18UNF	UC210-30 210-31	P210	6.4	
210		50													210			
UCP211-32	2																	
211-34	2 1/8		2.5	8.6	6.7	2.4	0.8	0.9	0.8	4.9	0.9	1.3	2.0	5/8-18UNF	UC211-32 211-34	P211	7.9	
211		55													211			
211-35	2 3/16														211-35			
UCP212-36	2 1/4																	
212		60	2.8	9.5	7.2	2.8	0.8	1.0	0.9	5.4	1.0	1.6	2.2	5/8-18UNF	UC212-36 212	P212	10.8	
212-38	2 3/8														212-38			
212-39	2 7/16														212-39			
UCP213-40	2 1/2																	
213		65	3.0	10.4	8.0	2.8	1.0	1.2	1.0	5.9	1.0	1.6	2.6	3/4-16UNF	UC213-40 213	P213	13.0	
UCP214-44	2 3/4																	
214		70	3.1	10.5	8.3	2.8	1.0	1.2	1.1	6.2	1.2	1.7	2.6	3/4-16UNF	UC214-44 214	P214	15.0	
UCP215		75																
215-48	3		3.3	10.8	9.1	2.9	1.0	1.2	1.1	6.4	1.3	1.8	2.9	3/4-16UNF	UC215 215-48	P215	16.3	
UCP216		60	3.5	11.5	9.1	3.1	1.0	1.4	1.3	6.8	1.3	1.9	3.1	3/4-16UNF	UC216	P216	19.8	
UCP217-52	3 1/4																	
217		65	3.8	12.2	9.7	3.3	1.0	1.6	1.3	7.3	1.3	2.0	3.3	3/4-16UNF	UC217-52 217	P217	23.8	
UCP218-56	3 1/2																	
218		70	4.0	12.9	10.3	3.5	1.1	1.8	1.3	7.8	1.6	2.2	3.4	3/4-20UNF	UC218-56 218	P218	30.6	

**FIT'S PRICES ARE EXTREMELY COMPETITIVE**

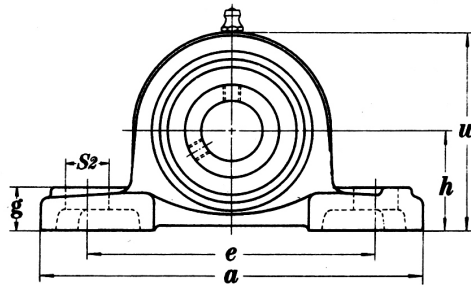
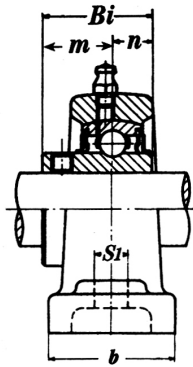
**CORPORATE - WEST COAST SALES**  
47655 Warm Springs Blvd  
Fremont, CA 94539  
Toll Free: (800) 808-0348  
Phone: (510) 623-1688

**MIDWEST SALES - DISTRIBUTION**  
2800 Galvin Drive  
Elgin, IL 60124  
Toll Free: (877) 808-0348  
Phone: (847) 836-8200



**FIT Bearings®**  
The Brand that Fits

**MOUNTED UNITS**  
**UELP 200 Pillow Blocks**  
Eccentric Locking Collar Type, Normal Duty



B type Seal L-III type Seal

ISO 9001:2000	DIMENSIONS													BOLT	COMPONENTS		WT.
Part Number	d inch	d mm	h	a	e	b	S1 inch	S2 inch	g	w	n	m	Bi	Thread Size	Bearing Number	Hous. Number	lbs
UELP201 208-1	1/2	12															
UELP202 202-10	5/8	15	1.2	5.0	3.8	1.5	0.5	0.8	0.5	2.4	0.5	0.7	1.2	3/8-24UNF	UEL201 201-8	P201	1.3
UELP203 203-11	11/16	17													UEL202 202-10	P202	
UELP204-12 204	3/4	20	1.3	5.0	3.8	1.5	0.5	0.8	0.5	2.5	0.5	0.7	1.2	3/8-24UNF	UEL203 203-11	P203	
UELP205-14 205-15 205 205-16	7/8 15/16 1	25	1.4	5.5	4.1	1.5	0.5	0.8	0.5	2.8	0.6	0.8	1.3	3/8-24UNF	UEL204-12 204	P204	1.4
UELP206-18 206 206-19 206-20	1 1/8 1 3/16 1 1/4	30	1.7	6.5	4.8	1.9	0.7	0.8	0.6	3.3	0.6	0.9	1.5	7/16-20UNF	UEL205-14 205-15 205 205-16	P205	1.8
UELP207-20 207-21 207-22 207 207-23	1 1/4 1 5/16 1 3/8 1 7/16	35	1.9	6.6	5.0	1.9	0.7	0.8	0.6	3.7	0.7	1.0	1.7	7/16-20UNF	UEL206-18 206 206-19 206-20	P206	2.9
UELP208-24 208-25 208	1 1/2 1 9/16	40	1.9	7.3	5.4	5.4	0.7	0.8	0.7	3.8	0.8	1.2	1.0	7/16-20UNF	UEL207-20 207-21 207-22 207 207-23	P207	3.5
															UEL208-24 208-25 208	P208	4.4

PLEASE ASK YOUR SALES REPRESENTATIVE REGARDING FIT'S FREE FREIGHT POLICY

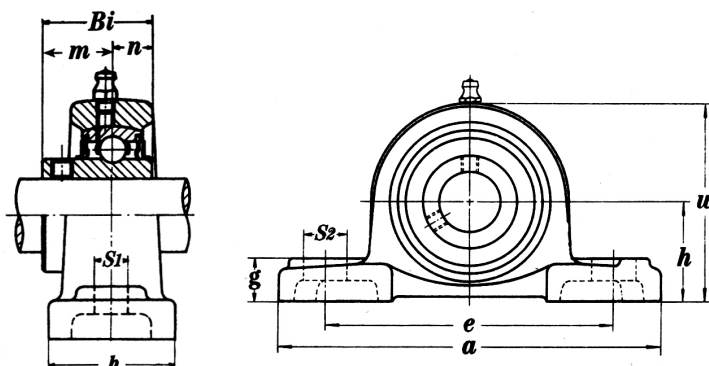
**CORPORATE - WEST COAST SALES**  
47655 Warm Springs Blvd  
Fremont, CA 94539  
Toll Free: (800) 808-0348  
Phone: (510) 623-1688

**MIDWEST SALES - DISTRIBUTION**  
2800 Galvin Drive  
Elgin, IL 60124  
Toll Free: (877) 808-0348  
Phone: (847) 836-8200



**FIT Bearings®**  
The Brand that Fits

**MOUNTED UNITS**  
**UELP 200 Pillow Blocks**  
Eccentric Locking Collar Type, Normal Duty



B type Seal L-III type Seal

ISO 9001:2000	DIMENSIONS														BOLT	COMPONENTS		WT.
Part Number	d inch	d mm	h	a	e	b	S1	S2	g	w	n	m	Bi	Thread Size	Bearing Number	Hous. Number	lbs	
UELP209-26	1 5/8														7/16-20UNF	UELP209-26		4.9
209-27	1 11/16		2.1	7.5	5.8	2.1	0.7	0.8	0.7	4.2	0.8	1.2	1.9	209-27		P209		
209-28	1 3/4													209-28				
209		45												209				
UELP210-30	1 7/8													5/8-18UNF	UELP210-30		6.4	
210-31	1 15/16		2.3	8.1	6.3	2.4	0.8	0.9	0.8	4.4	0.8	1.3	1.9		210-31	P210		
210		50													210			
UELP211-32	2													5/8-18UNF	UELP211-32		7.9	
211-34	2 1/8		2.5	8.6	6.7	2.4	0.8	0.9	0.8	4.9	0.9	1.3	2.0		211-34	P211		
211		55													211			
211-35	2 3/16														211-35			
UELP212-36	2 1/4													5/8-18UNF	UELP212-36		10.8	
212		60	2.8	9.5	7.2	2.8	0.8	1.0	0.9	5.4	1.0	1.6	2.2		212	P212		
212-38	2 3/8														212-38			
212-39	2 7/16														212-39			
UELP213-40	2 1/2													3/4-16UNF	UELP213-40		13.0	
213		65	3.0	10.4	8.0	2.8	1.0	1.2	1.0	5.9	1.0	1.6	2.6		213			
UELP214-44	2 3/4													3/4-16UNF	UELP214-44		15.0	
214		70	3.1	10.5	8.3	2.8	1.0	1.2	1.1	6.2	1.2	1.7	2.6		214			
UELP215		75	3.3	10.8	9.1	2.9	1.0	1.2	1.1	6.4	1.3	1.8	2.9	3/4-16UNF	UELP215		16.3	
215-48	3														215-48			
UELP216		60	3.5	11.5	9.1	3.1	1.0	1.4	1.3	6.8	1.3	1.9	3.1	3/4-16UNF	UELP216		19.8	
UELP217-52	3 1/4		3.8	12.2	9.7	3.3	1.0	1.6	1.3	7.3	1.3	2.0	3.3		UELP217-52	P217		
217		65												217				
UELP218-56	3 1/2													3/4-20UNF	UELP218-56		30.6	
218		70	4.0	12.9	10.3	3.5	1.1	1.8	1.3	7.8	1.6	2.2	3.4		218			

**FIT STRIVES FOR 100% IN ON-TIME DELIVERIES**

**CORPORATE - WEST COAST SALES**  
47655 Warm Springs Blvd  
Fremont, CA 94539  
Toll Free: (800) 808-0348  
Phone: (510) 623-1688

**MIDWEST SALES - DISTRIBUTION**  
2800 Galvin Drive  
Elgin, IL 60124  
Toll Free: (877) 808-0348  
Phone: (847) 836-8200